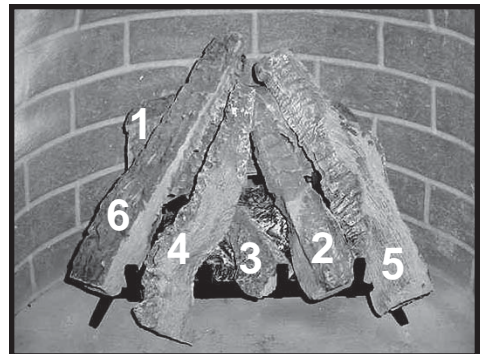


Log Set Assembly



Part Number list on following page.

No one builds a better fire

Service Parts List

Beginning Manufacturing Date: March 2003
Ending Manufacturing Date: Active

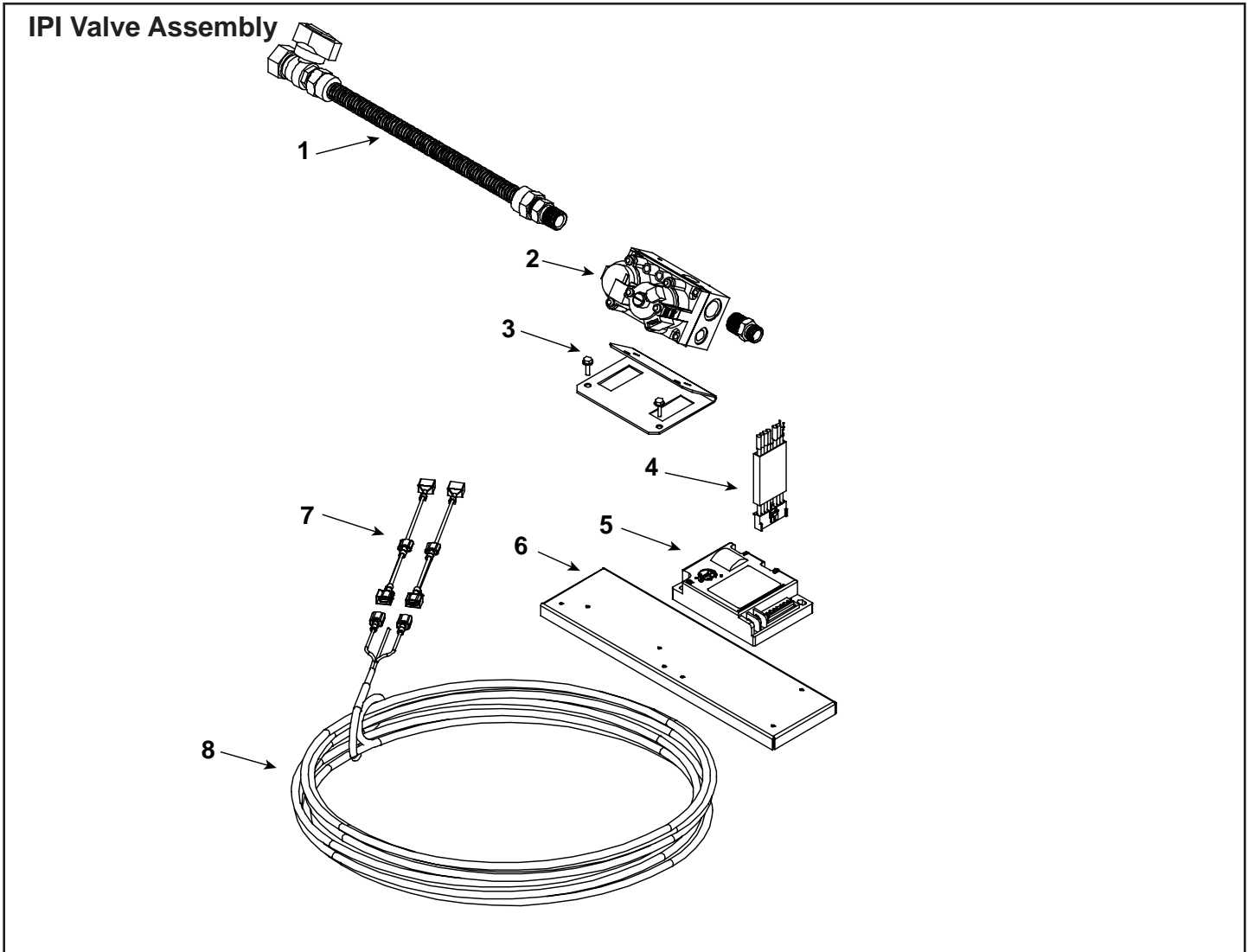
IMPORTANT: THIS IS DATED INFORMATION. When requesting service or replacement parts for your appliance please provide model number and serial number. All parts listed in this manual may be ordered from an authorized dealer.



**Stocked
at Depot**

ITEM	DESCRIPTION	COMMENTS	PART NUMBER	Stocked at Depot
	Log Set Assembly		LOGS-BRAVO	Y
1	Log 1 Back Log		SRV750-703	
2	Log 2 Right Inside Log		SRV750-705	
3	Log 3 Small Log		SRV750-706	
4	Log 4 Left Inside Log		SRV750-704	
5	Log 5 Right Log		SRV704-702	
6	Log 6 Left Log		SRV704-701	
7	Non-combustible board		704-192	
8	Glass Latch Assembly		386-122A	Y
9	Pilot Assembly NG (must order whole assembly)	Pre 002881385	SRV704-178-NG	Y
		Post 002881385	2090-012	Y
	Pilot Assembly LP (must order whole assembly)	Pre 002881385	SRV704-178-LP	Y
		Post 002881385	2090-013	Y
10	18" Flex 3/8" Diameter		567-301A	Y
11	Finishing Strips		704-233	
12	Glass Retainer		704-235	
13	Glass Door Assembly		GLA-BRAVO	Y
14	Log Grate		704-360A	
15	Burner NG		704-176A	Y
	Burner LP		704-175A	Y
16	Junction Box	Pre Oct 2004	100-250A	Y
		Post Oct 2004	4031-013	Y
17	Battery Pack		593-594A	Y
	3V Adaptor		593-593A	Y
	Lava Rock Bag		705-420	
	Mesh Assembly		MESH-BRAVO	Y
	Mineral Wool		050-721	
	Patch Kit		SRV-PACK-CFX	
	Conversion Kit NG		NGKP-BRAVO	Y
	Conversion Kit LP		LPKP-BRAVO	Y
	Pilot Orifice NG		593-528	Y
	Pilot Orifice LP		593-527	Y
	Regulator NG		NGK-DXF	Y
	Regulator LP		LPK-DXF	Y

Additional service part numbers appear on following page



IMPORTANT: THIS IS DATED INFORMATION. When requesting service or replacement parts for your appliance please provide model number and serial number. All parts listed in this manual may be ordered from an authorized dealer.



Stocked at Depot

ITEM	DESCRIPTION	COMMENTS	PART NUMBER	
1	Flex Ball Valve Assembly		302-320A	Y
2	Valve NG		593-500	Y
	Valve LP		593-501	Y
3	Valve Bracket Plate		704-246	
4	Wire Assembly		593-590A	Y
5	Module		593-592	Y
6	Valve Bracket		704-146	
7	Jumper Wire		2012-206	Y
8	Thermostat Wire Assembly		2045-024	Y
	Orifice NG (#42A)		060-800	Y
	Orifice LP (#53A)		060-801	Y