

No one builds a better fire

Service Parts List

Beginning Manufacturing Date: June 2006

Ending Manufacturing Date: Active

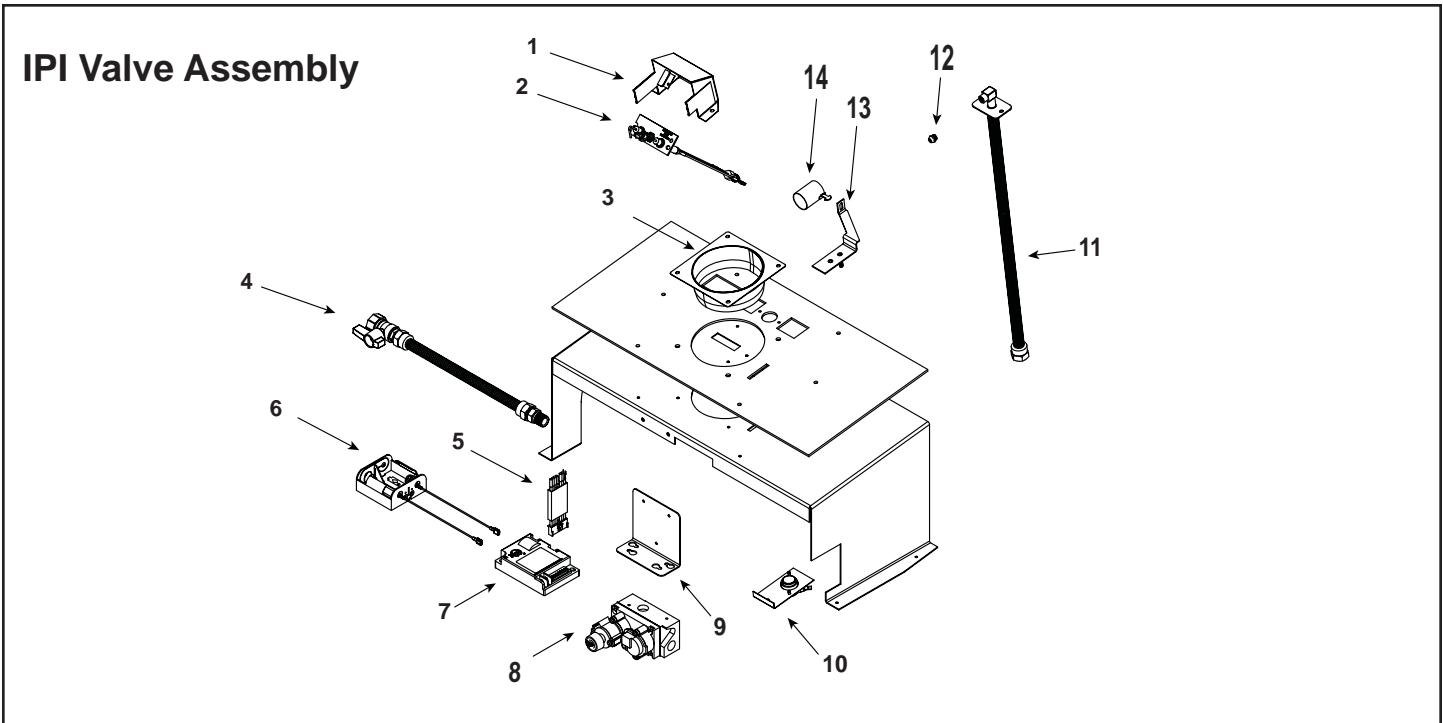
IMPORTANT: THIS IS DATED INFORMATION. When requesting service or replacement parts for your appliance please provide model number and serial number. All parts listed in this manual may be ordered from an authorized dealer.



**Stocked  
at Depot**

ITEM	DESCRIPTION	COMMENTS	PART NUMBER	
	Log Set Assembly		LOGS-CERONA42	Y
1	Log 1		SRV2107-701	
2	Log 2		SRV2107-702	
3	Log 3		SRV2107-703	
4	Log 4		SRV2107-704	
5	Log 5		SRV2107-705	
6	Log 6		SRV2107-706	
7	Top Header Heat Shield		2107-144	
8	Bottom Header Heat Shield		2107-145	
9	Non-Combustible Board		2107-030	
10	Burner NG, LP		2107-003	Y
11	Grate Assembly		2106-006	
12	Glass Door Assembly		GLA-CERONA42	Y
13	Fan Kit		GFK-160A	
14	Junction Box		4021-013	Y
	Control Box	Pre SN #0021358908	2106-025	Y
		Post Sn #0021359354	WSK-MLT	
	Fiber Patch Kit		SRV-PACK	
	Fiberglass Rope		060-455	
	Glass Latch Assembly		386-122A	Y
	Mineral Wool		050-721	
	On/Off Rocker Switch		060-521A	Y
	Screw Bag (23 ea)		2062-110-23	Y
	Solenoid - 110 Volt Hi/Lo		2101-029	Y
	Touch Up Paint		TUP-GBK-12	
	Touch UP Paint -Fiber box		CERONA-PAINT	
	Vermiculite Embers		MYSTIC-EMBERS	
	Vertical Restrictor		2106-141	
	Wall Control Assembly		2106-072	Y
	Wires, 2 in Male to Male		2012-206	
	Wire, Wall Switch		2095-550	Y
	Wire Harness, 20 in		107-559A	Y
	Conversion Kit NG		N/A	
	Conversion Kit LP		LPK-CERONA42	Y
	Pilot Orifice NG		593-528	Y
	Pilot Orifice LP		593-527	Y
	Regulator NG		NGK-DXV	Y
	Regulator LP		LPK-DXV	Y

Additional service part numbers appear on following page.



**IMPORTANT: THIS IS DATED INFORMATION.** When requesting service or replacement parts for your appliance please provide model number and serial number. All parts listed in this manual may be ordered from an authorized dealer.



**Stocked at Depot**

ITEM	DESCRIPTION	COMMENTS	PART NUMBER	Stocked at Depot
1	Pilot Bracket		2106-135	
2	Pilot Assembly NG		2106-009	Y
	Pilot Assembly LP		2106-008	Y
3	Collar 4"		2081-140	
4	Flex Ball Valve Assembly		302-320A	Y
5	Module Wire Assembly		593-590A	Y
6	Battery Pack		593-594A	Y
7	Module		593-592	Y
8	Valve NG		750-500	Y
	Valve LP		750-501	Y
9	Valve Bracket		2106-107	
10	High Temp Limit Switch	Pre June 2009 must order both switch, Wire, and shutter Bracket assembly	2106-005 and 107-559A	Y
			2106-010(NG) or 2106-071(LP)	
		Post June 2009	2106-005	Y
11	Flexible Gas Connector		530-302A	Y
12	Orifice NG (#29C)		582-829	Y
	Orifice LP (#48C)		582-848	Y
13	Shutter Bracket Assembly (NG)		2106-010	
	Shutter Bracket Assembly (LP)		2106-071	
14	Shutter Sleeve		2026-130	