

### Log Set Assembly



Part number list on following page.

No one builds a better fire

Service Parts List

Beginning Manufacturing Date: Oct 2007

Ending Manufacturing Date: Active

IMPORTANT: THIS IS DATED INFORMATION. When requesting service or replacement parts for your appliance please provide model number and serial number. All parts listed in this manual may be ordered from an authorized dealer.

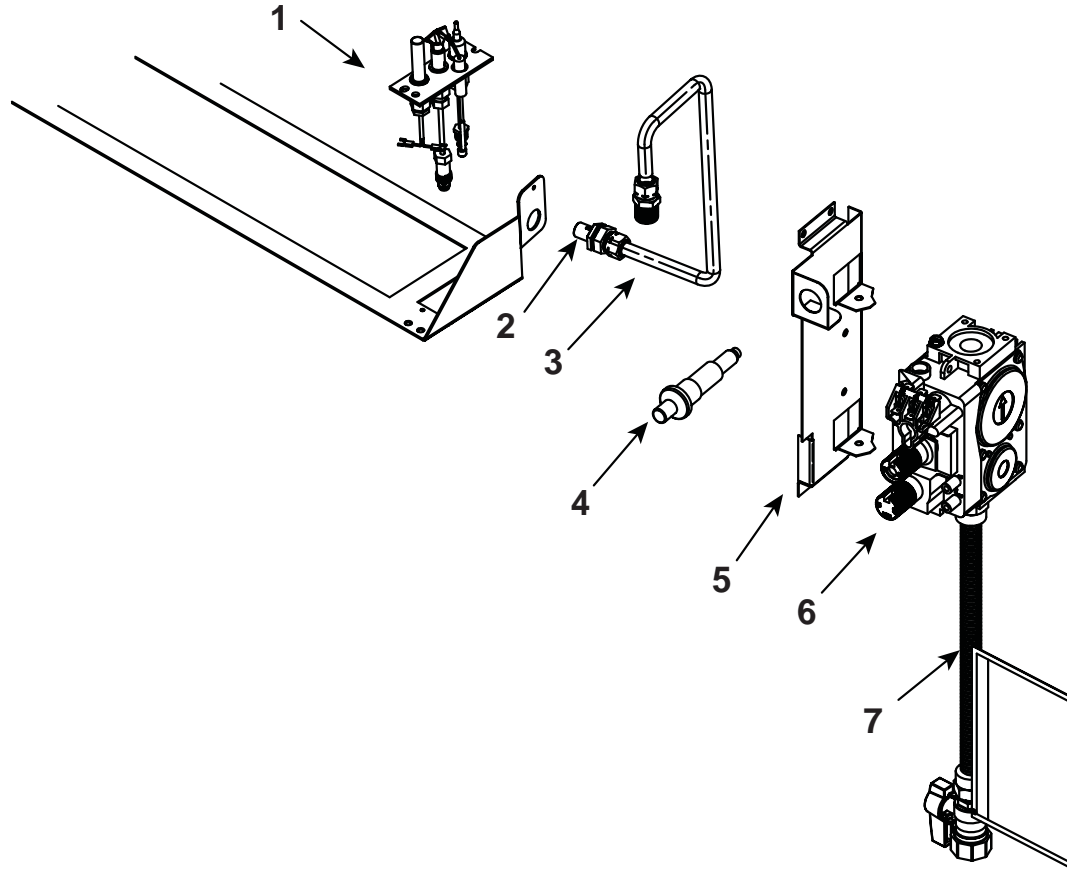


**Stocked  
at Depot**

ITEM	DESCRIPTION	COMMENTS	PART NUMBER	
	Log Set Assembly		LOGS-FBZC	Y
1	Log 1		SRV2019-701	
2	Log 2		SRV2019-702	
3	Log 3		SRV2019-703	
4	Log 4		SRV327-705	
5	Log 5		SRV740-707	
6	Log 6		SRV571-707	
7	Access Plate: Fan		2019-111	
8	Air Passage: Slide Plate Assembly		2019-096	
	Slide Plate Handle		2019-201	
9	Air Baffle		2019-165	
10	Burner Key		2019-166	
11	Burner		2019-003	Y
12	Burner Drop Plate		2019-164	
13	Log Grate		2019-006	
14	Glass Door Assembly, Ceramic		GLA-2019	Y
15	Surround Mount, Right		2019-205	
	Surround Mount, Left		2019-196	
16	Access Plate		2019-116	
	Gasket, Air Passage		2019-110	
	Glass Latch, Right	Qty 2 Req	386-122A	Y
	Glass Latch, Left	Qty 2 Req	339-121A	Y
	Junction Box		040-250A	Y
	Mineral Wool Embers		050-721	
	Patch Kit		SRV-PACK	
	Pilot Tube		SRV485-301	Y
	Thermocouple		2103-511	Y
	Thermopile		2103-512	Y
	Vent Pipe Assembly		768-380A	
	Vermiculite Embers		MYSTIC-EMBERS	
	Wire Assembly		2020-069	Y
	Conversion Kit NG		NGKS-FBZC	Y
	Conversion Kit LP		LPKS-FBZC	Y
	Pilot Orifice NG		2103-116	Y
	Pilot Orifice LP		2103-117	Y
	Regulator NG		230-1570	Y
	Regulator LP		230-1520	Y

Additional service parts on following page.

### Valve Assembly



IMPORTANT: THIS IS DATED INFORMATION. When requesting service or replacement parts for your appliance please provide model number and serial number. All parts listed in this manual may be ordered from an authorized dealer.



**Stocked  
at Depot**

ITEM	DESCRIPTION	COMMENTS	PART NUMBER	Stocked at Depot
1	Pilot Assembly NG		2103-010	Y
	Pilot Assembly LP		2103-011	Y
2	Burner Orifice NG (#36B)		567-801	Y
	Burner Orifice LP (#52B)		074-801	Y
3	Burner Tube		567-301A	Y
4	Piezo Ignitor		291-513	Y
5	Valve Bracket		2019-107	
6	Valve NG		230-0710	Y
	Valve LP		230-0720	Y
7	Flex Ball Valve Assembly		302-320A	Y