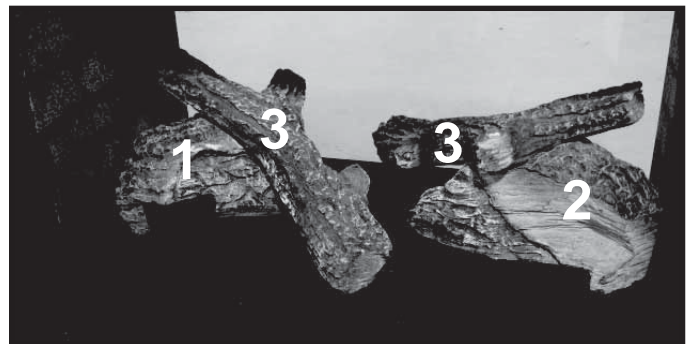


Log Set Assembly



Part number list on following page.

No one builds a better fire

Beginning Manufacturing Date: Sept 2008
Ending Manufacturing Date: Active

IMPORTANT: THIS IS DATED INFORMATION. When requesting service or replacement parts for your appliance please provide model number and serial number. All parts listed in this manual may be ordered from an authorized dealer.

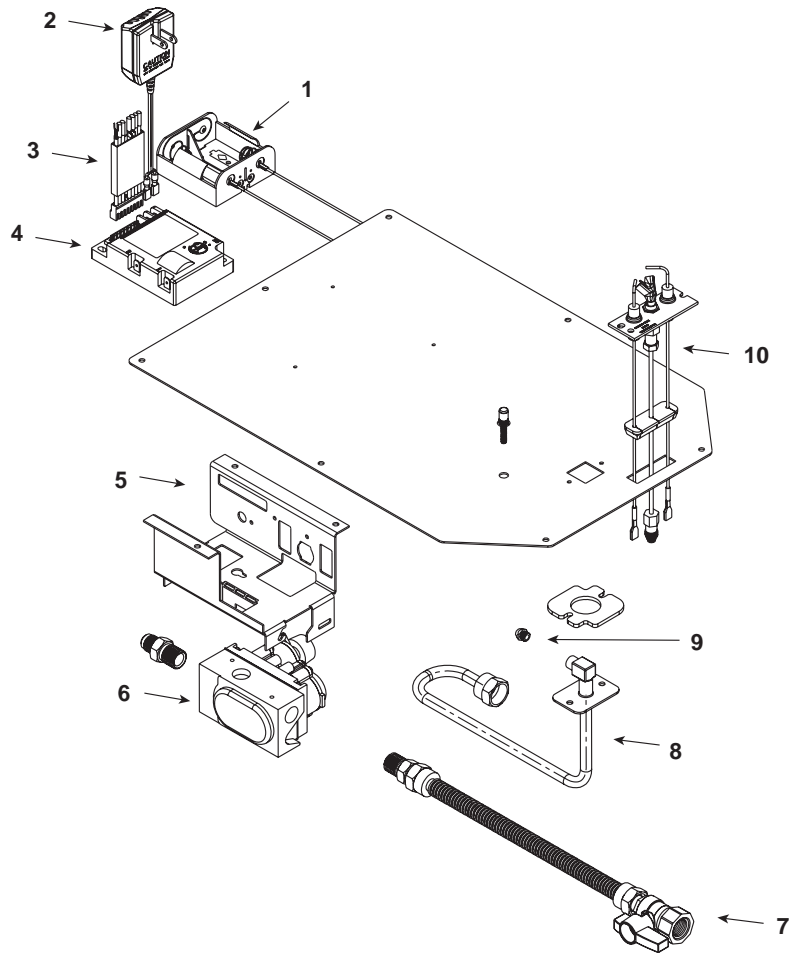


**Stocked
at Depot**

ITEM	DESCRIPTION	COMMENTS	PART NUMBER	
	Log Set Assembly		LOGS-2126	Y
1	Log 1		SRV2126-700	
2	Log 2		SRV2126-701	
3	Log 3	Qty 2 req	SRV2126-702	
4	Sheetrock Ledge		2126-118	
5	Refractory	Qty 2 req	2127-017	
6	Burner NG, LP		2126-007	Y
7	Base Pan		2126-115	
8	Glass Door Assembly		GLA-550TR	Y
9	Junction Box		4021-013	Y
10	Junction Box Bracket		2128-128	
11	Pilot Shield		2126-124	
	Exhaust Restrictor		530-299	
	Fiberglass Rope Ring		045-455	
	Gasket Assembly Contains Vent, Seal Cap, Burner Neck, Shutter Bracket and Valve Plate Gaskets		2128-081	
	Glass Latch Assembly	Qty 4 req	386-122A	Y
	Lava Rock		2005-790	
	Mineral Wool		050-721	
	Surround Overlay (contains overlay for top, bottom and sides)		SRV2126-FACE	
	Thermostat Wire		2118-170	Y
	Touch Up Paint		TUP-GBK-12	
	Vermiculite Embers		MYSTIC-EMBERS	
	Conversion Kit NG		NGK-MS32	Y
	Conversion Kit LP		LPK-MS32	Y
	Pilot Orifice NG		593-528	Y
	Pilot Orifice LP		593-527	Y
	Regulator NG		NGK-DXV	Y
	Regulator LP		LPK-DXF	Y

Additional service part numbers appear on following page.

IPI Valve Assembly



IMPORTANT: THIS IS DATED INFORMATION. When requesting service or replacement parts for your appliance please provide model number and serial number. All parts listed in this manual may be ordered from an authorized dealer.



**Stocked
at Depot**

ITEM	DESCRIPTION	COMMENTS	PART NUMBER	
1	Battery Pack		593-594A	Y
2	3 Volt Transformer		593-593A	Y
3	Module Wire Assembly		593-590A	Y
4	Module		593-592	Y
5	Valve Bracket		2118-104	
6	Valve NG		750-500	Y
	Valve LP		593-501	Y
7	Flex Ball Valve Assembly		302-320A	Y
8	Flexible Gas Connector		530-302A	Y
9	Orifice NG (#44C)		582-844	Y
	Orifice LP (#55C)		582-855	Y
10	Pilot Assembly NG		2090-012	Y
	Pilot Assembly LP		2090-013	Y
	2 in Jumper Wire		2012-206	